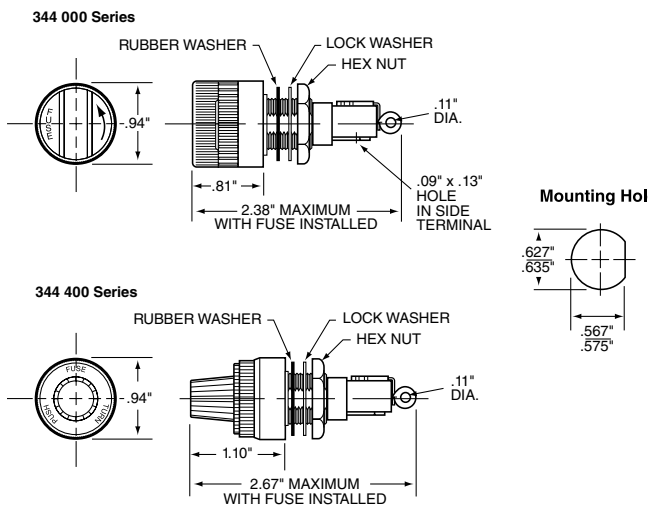


344 Series Blown Fuse Indicating Holders for 3AG Fuses



Dimensions



Additional Information




Product Characteristics

Compatible Fuses	3AG
Electrical	Rated at 20 amperes at lamp voltage shown below. Dielectric: withstanding voltage exceeds 1500 volts. All fuseholders are supplied with a resistor. When designing indicating type fuseholders into a circuit, consideration should be given to the resistance of fractional amperage fuses and the parallel resistance of the indicator lamp and 7its resistor.
Mounting	Withstands 15 lb.-in. mounting torque. Maximum panel thickness is .250".
Molded Parts	Black Thermoplastic (UL94 V-0), except lens is thermoplastic (UL94 V-2). See Table below for lens color.
Knob	Bayonet style.
Terminals	Copper & copper alloy. Tin plated.
Ambient Temperature	-40°C to +85°C.
Hardware	Neoprene washer, lockwasher & hex nut unassembled. O-ring option available must be ordered separately using part number 901-108.

* Ensure that proper de-rating is factored in fuseholder selection.

Agency Approvals

Agency	Agency File Number
	E14721

Ordering Information

Catalog Number		Voltage Range	Lamp Type Rating	Lamp Current Rear Panel	Lens Color
344 000 Series (Bar Knob)	344 400 Series (Round Knob)				
344 006	344 401	2.5 to 7	6V Incandescent	.20 amp	Amber
344 012	344 402	7 to 16	14V Incandescent	.08 amp	Amber
344 024	344 403	16 to 32	28V Incandescent	.04 amp	Amber
344 125	344 404	100 to 125	Neon	.002 amp	Clear
344 250	344 405	200 to 250	Neon	.002 amp	Clear