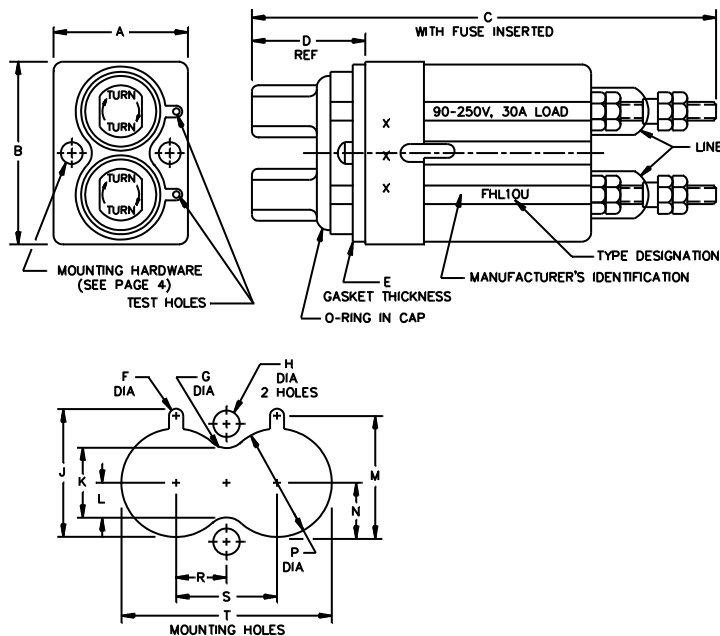


PERFORMANCE SPECIFICATION SHEET

FUSEHOLDERS, EXTRACTOR POST TYPE,
BLOWN FUSE INDICATING, TYPES FHL10U AND FHL10G

This specification is approved for use by all Departments and Agencies of the Department of Defense

The requirements for acquiring the product described herein shall consist of this specification and [MIL-PRF-19207](#).



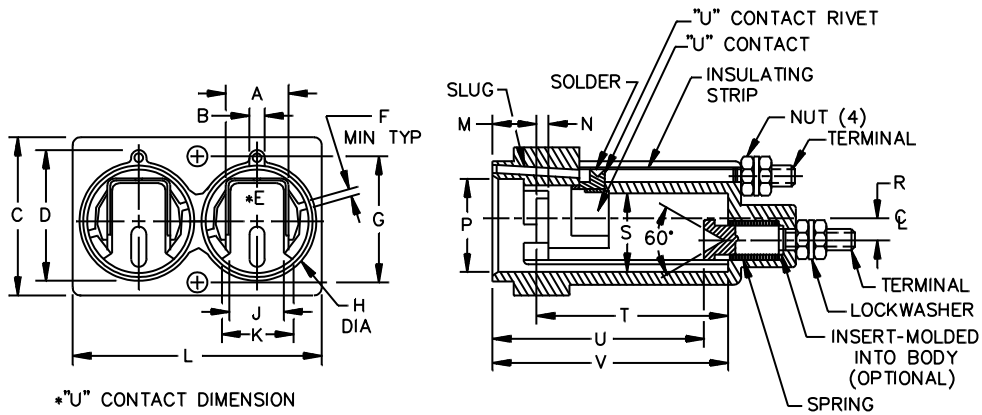
Ltr	Inches		mm		Ltr	Inches		mm	
	Min	Max	Min	Max		Min	Max	Min	Max
A	1.18 (REF)		29.97 (REF)		K	.511	.521	12.98	13.23
B	1.802	1.822	45.77	46.28	L	.253	.263	6.43	6.68
C	3.750	4.00	95.25	101.60	M	.933	.943	23.70	23.95
D	.830 (REF)		21.08 (REF)		N	.464	.474	11.79	12.04
E	.055	.065	1.40	1.65	P	.870	.880	22.10	22.35
F	.200	.210	5.08	5.33	R	.395	.405	10.03	10.29
G	.104	.114	2.64	2.90	S	.795	.805	20.19	20.45
H	.151	.161	3.84	4.09	T	1.672	1.682	42.47	42.72
J	.969	.979	24.61	24.87					

NOTES:

1. Dimensions are in inches.
2. Metric equivalents are given for general information only.
3. Unless otherwise specified, tolerances are ± 0.02 (0.51 mm) for two place decimals and ± 0.005 (0.13mm) for three-place decimals.

FIGURE 1. Type FHL10U and type FHL10G fuseholders.

Part or Identifying Number (PIN): FHL10U-001 - Body for FHL10U
 FHL10G-002 - Body for FHL10G



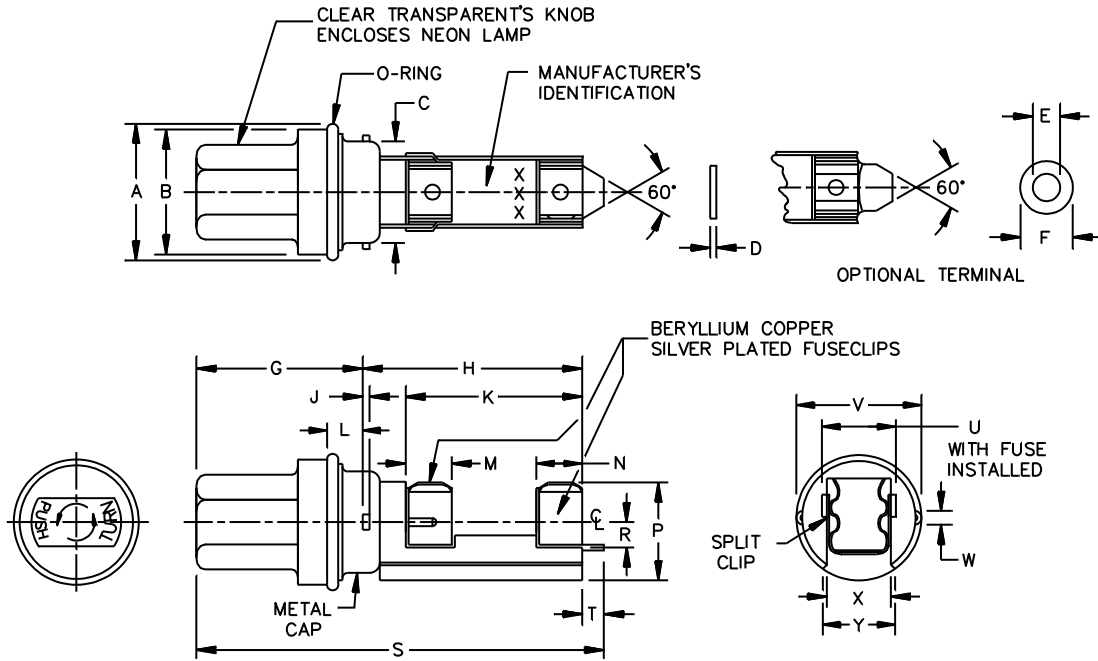
Ltr	Inches		mm		Ltr	Inches		mm	
	Min	Max	Min	Max		Min	Max	Min	Max
A	.435	.445	11.05	11.30	L	1.802	1.822	45.77	46.28
B	.188	.198	4.78	5.03	M	.385	.425	9.78	10.80
C	1.175	1.190	29.85	30.23	N	.140	.160	3.57	4.06
D	.945	.955	24.00	24.26	P	.695	.705	17.65	17.91
E	.385	.395	9.78	10.03	R	.140	.190	3.56	4.83
F	.125	---	3.18	---	S	.565	.605	14.35	15.37
G	.933	.943	23.70	23.95	T	1.675	---	42.55	---
H	.850	.860	21.59	21.84	U	1.950	2.050	49.53	52.07
J	.360	.370	9.14	9.40	V	2.105	2.155	53.47	54.74
K	.435	.445	11.05	11.30					

NOTES:

1. Dimensions are in inches.
2. Metric equivalents are given for general information only.
3. Unless otherwise specified, tolerances are ± 0.02 (0.51 mm) for two place decimals and ± 0.005 (0.13mm) for three-place decimals

FIGURE 2. Body for FHL10U and FHL10G fuseholders.

Part or Identifying Number (PIN): FHL10U-003 - Fuse carrier for FHL10U
 FHL10G-004 - Fuse carrier for FHL10G



Ltr	Inches		mm		Ltr	Inches		mm	
	Min	Max	Min	Max		Min	Max	Min	Max
A	.695	.715	17.65	18.16	M	.302	.322	7.67	8.18
B	.670	.685	17.02	17.40	N	.302	.322	7.67	8.18
C	.555	.575	14.10	14.61	P	.545	.565	13.84	14.35
D	.038	.044	.965	1.12	R	.155	.175	3.94	4.45
E	.098 (REF)		2.49 (REF)		S	2.782	2.844	70.66	72.24
F	.125	.135	3.18	3.43	T	.145	.175	3.68	4.45
G	1.000	1.050	25.40	26.67	U	.410	.430	10.41	10.92
H	---	1.650	---	41.91	V	.630	.650	16.00	16.51
J	---	.085	---	2.16	W	---	.120	---	3.05
K	1.292	1.332	32.82	33.83	X	.335	.345	8.51	8.76
L	---	.375	---	9.53	Y	.400	.420	10.16	10.67

NOTES:

1. Dimensions are in inches.
2. Metric equivalents are given for general information only.
3. Unless otherwise specified, tolerances are ± 0.02 (0.51 mm) for two place decimals and ± 0.005 (0.13mm) for three-place decimals

FIGURE 3. Fuse carrier for FHL10U and FHL10G fuseholders.

MIL-PRF-19207/1K

REQUIREMENTS:

Interface and physical dimensions: See figures 1, 2, and 3.

Cap and body molding material: Cap and body molding materials shall be selected to enable the fuseholder to meet the performance requirements of this specification. Additional information and guidance on body molding material are specified in the notes.

Fuse accommodation.

Ferrule type:

Size: 0.250 inch (0.64 mm) diameter, 1.250 inches (31.75 mm) length.

Styles: [MIL-PRF-15160](#), F02 and F03 and [MIL-PRF-23419](#), FM09.

(or equivalent size and style)

Poles: Two.

Rating: 30 amperes, 90-250 volts.

Panel thickness: 0.125 inch (3.18 mm) maximum.

Indicating: Neon lamp with clear cap.

Lamp series resistor: [MIL-PRF-39017/1](#), 120,000 ohms, 0.25 watt.

Terminals: Stud type, No. 8-32 UNC-2A thread.

Enclosure: Unsealed: FHL10U.

Drip-proof: FHL10G (see [note 1](#))

Test fuses:

Temperature rise: F03A125V30A of [MIL-PRF-15160/3](#).

Short circuit: F03A250V15A of [MIL-PRF-15160/3](#).

Mechanical shock: Method I of [MIL-PRF-19207](#).

Terminal strength: 20 pounds.

Torque: Terminals - 15 pounds-inch.

Salt atmosphere (corrosion): Test condition B.

Mounting hardware:

Screw: 6-32UNC-2A, 7/8-inch long (min).

Pan/round head with sealing washer or pan self-sealing.

Nut: 6-32UNC-2B square. A threaded metal insert may be used in lieu of nut.

MIL-PRF-19207/1K

NOTES:

1. All of the type FHL10G fuseholders submitted for delivery shall have been subjected to the dripproof test as specified in 4.6.16.2 of [MIL-PRF-19207](#).
2. Cap and body molding material: It is suggested that type MAI-60, GDI-30F or SDG-F of American Society for Testing and Materials [ASTM-D5948](#) be considered for meeting the cap and body molding material requirements of this specification. [ASTM-D3935](#) is also suggested as guidance for cap material.

Referenced documents. In addition to [MIL-PRF-19207](#), this document references the following:

[MIL-PRF-15160](#) [MIL-PRF-15160/3](#) [MIL-PRF-23419](#) [MIL-PRF-39017/1](#) [ASTM-D3935](#) [ASTM-D5948](#)

The margins of this specification are marked with vertical lines to indicate where changes from the previous issue were made. This was done as a convenience only and the Government assumes no liability whatsoever for any inaccuracies in these notations. Bidders and contractors are cautioned to evaluate the requirements of this document based on the entire content irrespective of the marginal notations and relationship to the last previous issue.

Custodians:

Army - CR
Navy - SH
Air force - 85
DLA - CC

Preparing Activity:

DLA - CC

(Project 5920-2013-026)

Review Activities:

Army - AR, AT, CR4, MI
Navy - AS, EC, MC, OS
Air Force - 19, 70, 71, 84, 99

NOTE: The activities listed above were interested in this document as of the date of this document. Since organizations and responsibilities can change, you should verify the currency of the information above using the ASSIST Online database at <https://assist.dla.mil>.