



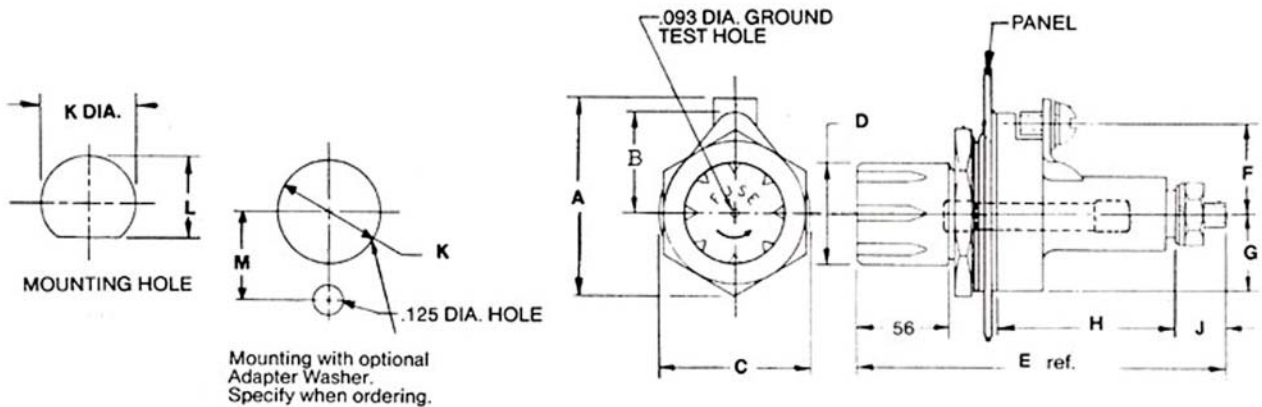
PANEL MOUNTED NON-INDICATING FUSEHOLDER (SINGLE POLE)

MODEL 5000
SINGLE POLE
FOR USE WITH
1/4" x 1 1/4" FUSES



FEATURES - MODEL 5000 FUSEHOLDER

- A. FITS STANDARD KNOCKOUTS
- B. AVAILABLE WITH OPTIONAL ANTI-ROTATIONAL ADAPTER WASHER
- C. UL COMPONENT RECOGNIZED
- D. MEETS OR SURPASSES NEMA ENVIRONMENTAL REQUIREMENTS
- E. IGNITION PROTECTED



Dimensions													
A	B	C	D	E	F	G	H	J	K	L	M		
1.26	.687	.94	.62	2.37	.56	.47	1.09	.38	.625	^{+0.010} / _{-0.000}	.59	^{+0.005} / _{-0.000}	50

SPECIFICATIONS

ELECTRICAL:

Fuse: 1/4" x 1 1/4" , 3AG OR 3AB Style
Current: 30 AMP any voltage up to 250V. AC or DC
Dielectric: withstands 1500 volts

MOLDED PARTS:

Body - Black phenolic
CAP- BLACK PHENOLIC

TERMINALS:

Brass, plated, screw type, #6
Withstand 15 inch pounds torque

FUSECLIP:

Beryllium copper, silver plated

MOUNTING HARDWARE:

Gasket: Silicone
Lockwasher: phos. bronze, plated
Mounting Nut: aluminum, anodized
Optional adapter washer: aluminum, anodized

MOUNTING:

Max panel thickness .125"

CERTIFICATIONS:

UL component recognized & ignition Protected
file no's E41903 & E79894

ENCLOSURE:

Watertight from front of panel

MODEL 5500 FUSEHOLDER ACCOMMODATES ALL 1/2" x 1 1/2" FUSES INCLUDING:

BUSS: ABC, AGC, MDL, MSL, MDA, MTH, etc.
LITTELFUSE: 311, 312, 313, 326, 314, etc.



FIC CORPORATION
12216 Parklawn Dr.
Rockville, MD 20852

TOLL FREE: 800-638-6594 • IN MD: 301-881-8124 • FAX: 301/881-0530