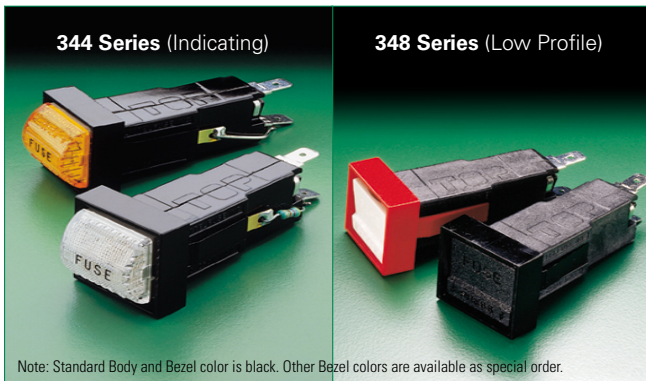


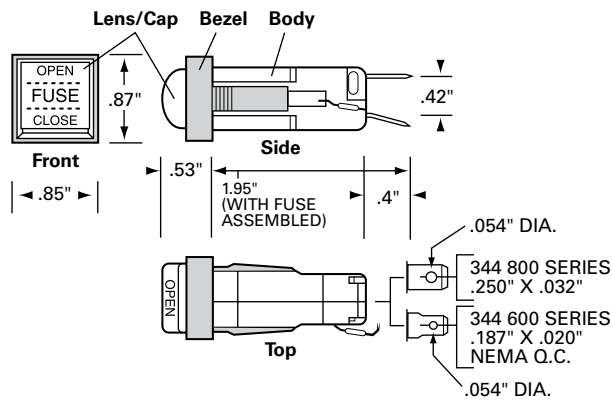
**344/348 Series Blown Fuse Indicating / Low Profile Holders for 3AG Fuses**



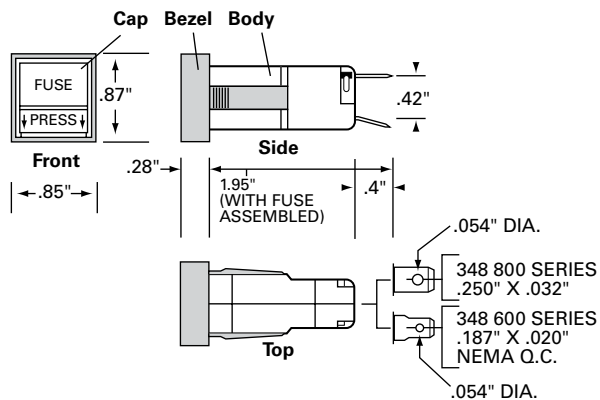
Note: Standard Body and Bezel color is black. Other Bezel colors are available as special order.

**Dimensions**

**344 Series**



**348 Series**



**Additional Information**



**Datasheet**  
344 Series



**Resources**  
344 Series



**Samples**  
344 Series



**Datasheet**  
348 Series



**Resources**  
348 Series



**Samples**  
348 Series

**Product Characteristics**

Compatible Fuses	For 3AG Type Fuses
<b>Features</b>	Low profile design Blown fuse indicator
<b>Electrical</b>	348 Series: Rated at 15 amps for any voltage up to 250 volts. 344 Series: Rated at 15 amps at lamp voltage shown below.
<b>Dielectric Strength</b>	1500 volts minimum. When designing indicating type fuseholders into a circuit, consideration should be given to the resistance of fractional amperage fuses and the parallel resistance of the indicator lamp and its resistor.
<b>Mounting</b>	Panel thickness range: .031" through .125"
<b>Molded Parts</b>	Black thermoplastic body (UL94 V-0). Thermoplastic bezel, cap and lens (UL94 V-2). See tables below for colors.
<b>Terminals</b>	Brass. Tin-plated.
<b>Ambient Temperature</b>	Non-indicating: -40°C to +85°C. Indicating: -40°C to +60°C.
<b>Fuse Installation</b>	Insert a fuse into the cap and push the assembly into the body until it latches. Press in and down to unlatch for removal.

**Agency Approval**

Agency	Agency File Number
	E14721
	007316

NOTE: Ensure that proper de-rating is factored in fuseholder selection.

**Ordering Information**

Catalog Number		Lamp Type	Lamp Voltage	Lamp Current	Resistor	Lens Color
3/16" O.C. Terminals	1/4" O.C. Terminals					
<b>344 601</b>	<b>344 801</b>	Incandescent	6	40 ma	No	Amber
<b>344 602</b>	<b>344 802</b>	Incandescent	14	80 ma	No	Amber
<b>344 603</b>	<b>344 803</b>	Incandescent	28	40 ma	No	Amber
<b>344 604</b>	<b>344 804</b>	Neon	120	1.2 ma	Yes	Clear
<b>344 605</b>	<b>344 805</b>	Neon	240	.3 ma	Yes	Clear

NOTE: Standard Body and Bezel color is black. Other Bezel colors may be available as special order. Please contact Littelfuse for additional information and detailed arrangements.

Catalog Number		Bezel Color	Cap Color
3/16" O.C. Terminals	1/4" O.C. Terminals		
<b>348 671</b>	<b>348 871</b>	Black	Red
<b>348 677</b>	<b>348 877</b>	Black	Black

NOTE: Standard Body and Bezel color is black. Other Bezel and Cap colors may be available as special order. Please contact Littelfuse for additional information and arrangements.