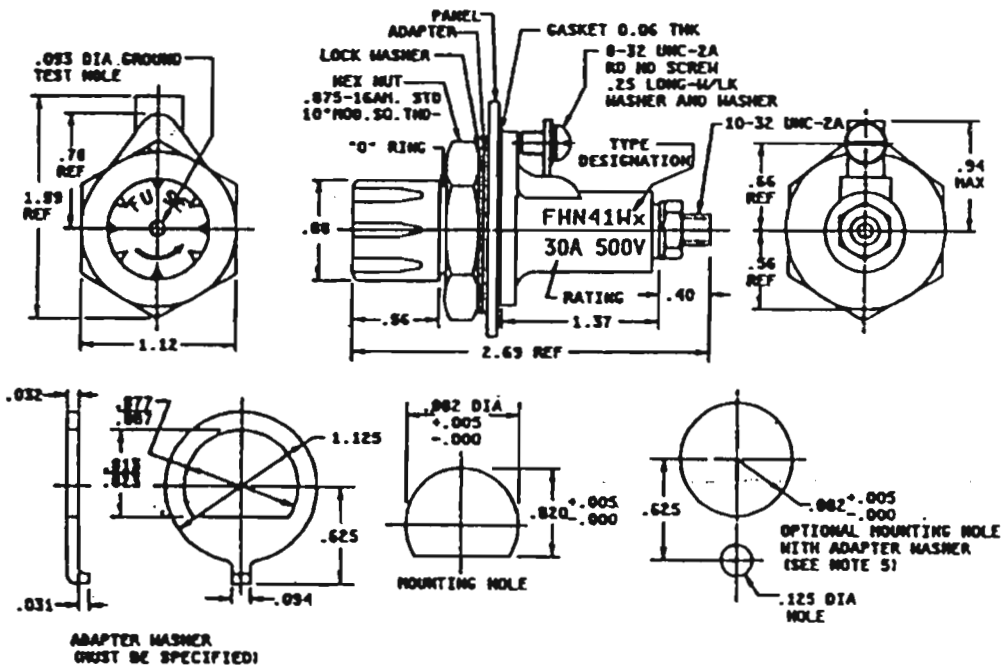


PERFORMANCE SPECIFICATION SHEET

FUSEHOLDERS, EXTRACTOR POST TYPE, NONINDICATING,  
 NON-EM/RFI SHIELDED AND EM/RFI SHIELDED, TYPES FHN41W,  
 FHN41WS, FHN41WB AND FHN41WS

This specification is approved for use by all departments and agencies of the Department of Defense.

The requirements for acquiring the product described herein shall consist of this specification and MIL-PRF-19207.



See notes on next page.

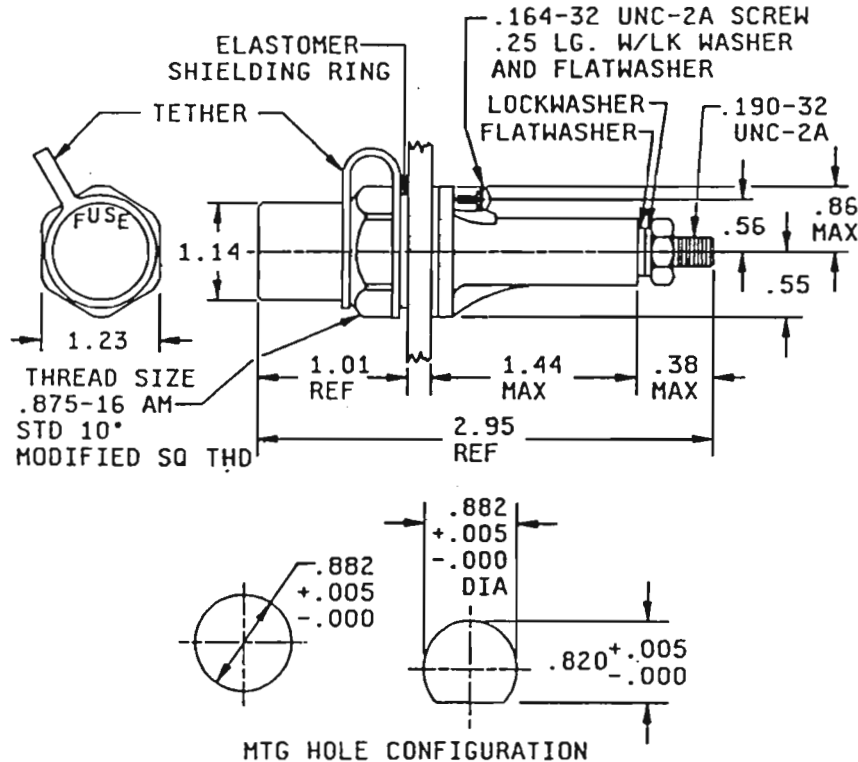
FIGURE 1. Type FHN41W and FHN41WB fuseholder.

Inches	mm	Inches	mm	Inches	mm	Inches	mm	Inches	mm
.005	0.13	.4	10.16	.820	20.83	.887	22.53	1.59	40.39
.031	0.79	.56	14.22	.823	20.90	.93	22.62	2.69	68.33
.032	0.81	.625	15.88	.875	22.23	.94	23.88		
.06	1.52	.66	16.76	.877	22.28	1.12	28.45		
.125	3.18	.78	19.81	.88	22.35	1.125	28.58		
.25	6.35	.813	20.65	.882	22.40	1.37	34.80		

NOTES:

1. Dimensions are in inches.
2. Metric equivalents are given for general information only.
3. Unless otherwise specified, tolerances are  $\pm 0.02$ . (0.51 mm) for two place decimals and  $\pm 0.005$  (0.13 mm) for three place decimals.
4. Cap thread shall be 9/16-27 NEF2 thread with full provisions for cap interchangeability.
5. Round hole mounting for replacement only. Use adapter washer for non-watertight applications.
6. The location (on the fuseholder body) of the manufacturer's identification and electrical rating is optional.

FIGURE 1. Type FHN41W and FHN41WB fuseholder. - Continued.



See notes on next page.

Inches	mm	Inches	mm	Inches	mm
.005	0.13	.56	14.22	1.14	28.96
.164	4.17	.820	20.83	1.23	31.24
.190	4.83	.86	21.84	1.44	36.58
.25	6.35	.875	22.23	1.64	41.66
.38	9.65	.882	22.40	2.95	74.93
.55	13.97	1.01	25.65		

FIGURE 2. Type FHN41WS and FHN41WBS fuseholder.

MIL-PRF-19207/25E

NOTES:

1. Dimensions are in inches.
2. Metric equivalents are given for general information only.
3. Unless otherwise specified, tolerances are  $\pm 0.02$ . (0.51 mm) for two place decimals and  $\pm 0.005$  for three place decimals.
4. Cap thread shall be 9/16-27 NEF2 thread with full provisions for cap interchangeability.
5. Round hole mounting for replacement only. Use adapter washer for non-watertight applications.
6. The location (on the fuseholder body) of the manufacturer's identification and electrical rating is optional.

FIGURE 2. Type FHN41WS and FHN41WBS fuseholder. - Continued.

REQUIREMENTS:

Interface and physical dimensions: See figure 1

Body material: Body material shall be selected to enable the fuseholder to meet the performance requirements of this specification. Additional information and guidance on body molding material is specified in the notes.

Fuse accommodation:

Ferrule type:

Size: 0.406 inch (10.31 mm) diameter, 1.500 inches (38.10 mm) length

Styles: MIL-PRF-15160, F07, F09, F11, and F60

Poles: One

Rating: 30 amperes, 500 volts maximum

Panel thickness: 0.125 inch (3.18 mm) maximum

Nonindicating:

Lamp series indicator: None

Terminals: Threaded stud and screw type.

Enclosure: Watertight (FHN41W), watertight with EMI/RFI shielding (FHN41WS), watertight and body sealed (FHN41WB) (for submarine applications use FHN41WB) or watertight and body sealed with EMI/RFI shielding (FHN41WBS).

Test fuses:

Temperature rise: F60C500V30A of MIL-PRF-15160/60.

Voltage drop: F60C500V30A of MIL-PRF-15160/60.

Short circuit: F60C500V30A of MIL-PRF-15160/60.

Mechanical shock: Method I of MIL-PRF-19207.

Terminal strength: 20 pounds.

Torque: Terminal - 25 inch- pounds.

Mounting - 15-20 inch- pounds.

Cap insert - 30 inch-pounds.

Salt spray (corrosion): Test condition B.

Dielectric:

Sea level: 2,000 volts

Reduced pressure: 750 volts

EMI/RFI shielding: Paragraph 3.5.18 of MIL-PRF-19207.

Type designation: Watertight (FHN41W), watertight with EMI/RFI shielding (FHN41WS), watertight and body sealed (FHN41WB) or watertight and body sealed with EMI/RFI shielding (FHN41WBS).

TABLE I Supersession information.

Superseding type designation number	Superseded MIL dash number
FHN41W	M19207/25-001
FHN41WS	N/A
FHN41WB	M19207/25-002
FHN41WBS	N/A

NOTES:

1. Body molding material: It is recommended that type MAI-60 or GDI-30F of American Society For Testing and Materials (ASTM) ASTM D5948 be considered for meeting the body molding material requirements of this specification.
2. For submarine applications use FHN41WB or FHN41WBS.
3. EMI/RFI shielded type fuseholders are equivalent to the non-shielded type fuseholders with the addition of EMI/RFI shielding cap and mounting nut assembly.
4. To assure maximum shielding effectiveness mounting nut must be torqued to 15-20 inch-pounds over an electrically conductive panel surface, 1.26 inch minimum diameter.

Marginal notations are not used in this revision to identify changes with respect to the previous issue due to the extent of the changes.

MIL-PRF-19207/25E

Custodians:

Army - CR  
Navy - SH  
Air Force - 11  
DLA - CC

Preparing activity:  
DLA - CC

(Project 5920-0593)

Review activities:

Army - AR, AT, CR4, MI  
Navy - EC, OS  
Air Force - 70, 71, 99