

INCH-POUND
MIL-PRF-19207/23K
30 March 2001
SUPERSEDING
MIL-PRF-19207/23J
29 January 1999

PERFORMANCE SPECIFICATION SHEET

FUSEHOLDERS, EXTRACTOR POST TYPE,
BLOWN FUSE INDICATING, TYPE FHL34W

This specification is approved for use by all Departments
and Agencies of the Department of Defense.

The requirements for acquiring the product described herein
shall consist of this specification and MIL-PRF-19207.

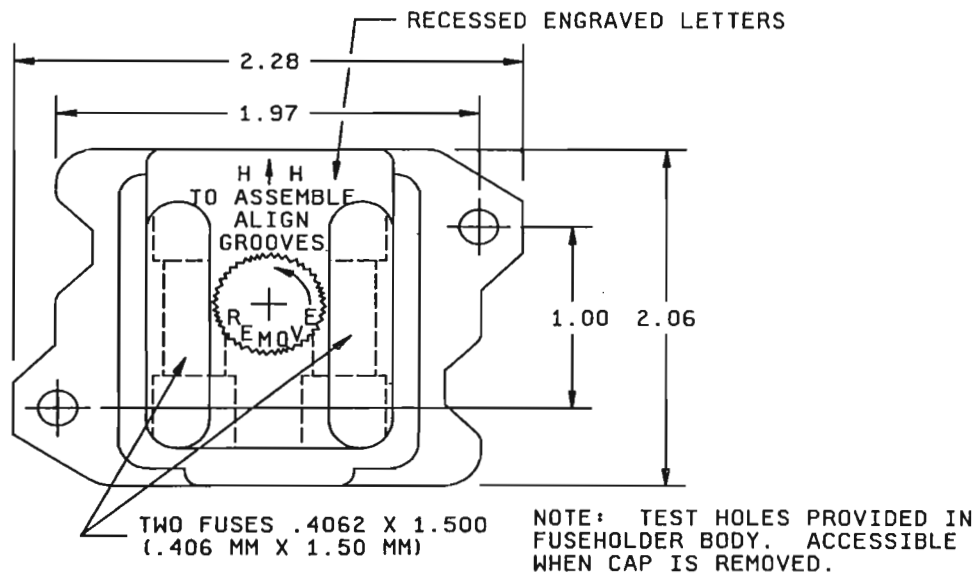
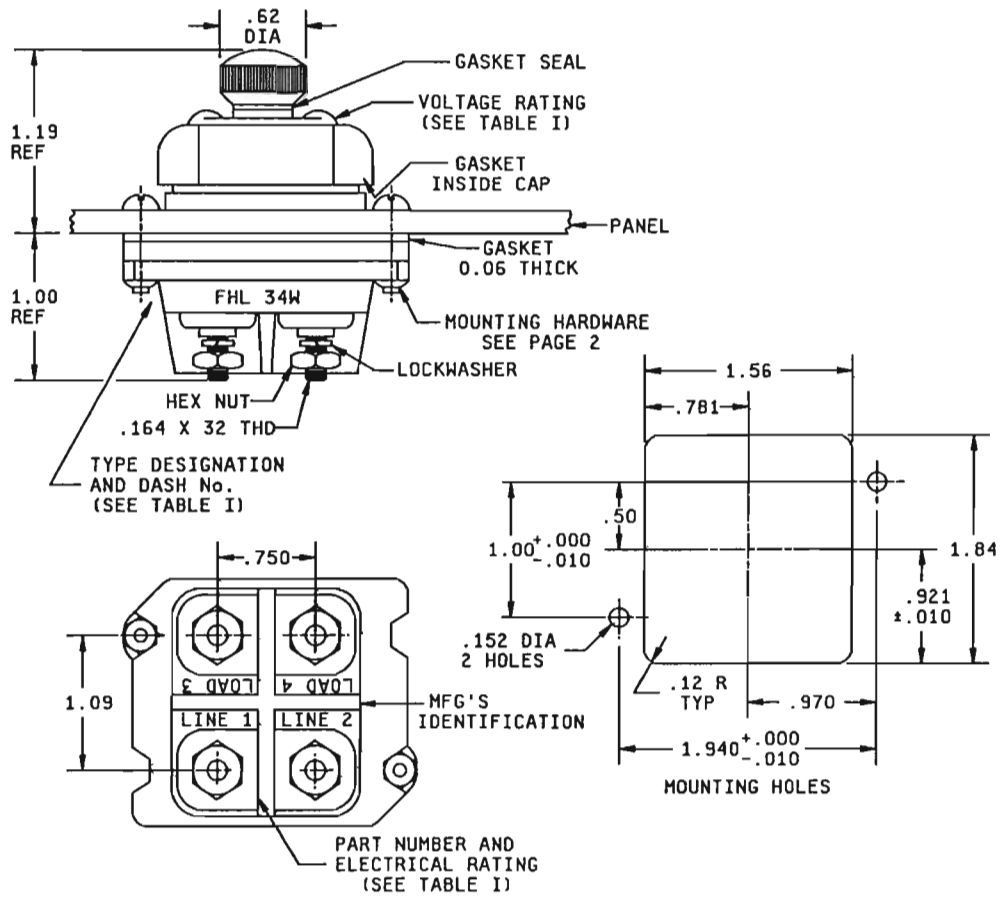


FIGURE 1. Type FHL34W fuseholder.



Inches	mm	Inches	mm	Inches	mm	Inches	mm	Inches	mm
0.010	0.25	.164	4.17	.921	23.39	1.500	38.10	2.06	52.32
.06	1.52	.50	12.70	.970	24.64	1.56	39.62	2.28	57.91
.12	3.05	.62	15.75	1.00	25.4	1.84	46.74		
.152	3.86	.750	19.05	1.09	27.69	1.940	49.28		
.406	10.31	.781	19.84	1.19	30.23	1.97	50.04		

NOTES:

1. Dimensions are in inches.
2. Metric equivalents are given for general information only.
3. Unless otherwise specified, tolerances are ± 0.02 (0.51 mm) for two-place decimals and ± 0.005 (0.13 mm) for three-place decimals.
4. The location (on the fuseholder body or fuseholder cap) of the manufacturer's identification, type designation and electrical rating is optional.

FIGURE 1. Type FHL34W fuseholder. - Continued.

MIL-PRF-19207/23K

REQUIREMENTS:

Interface and physical dimensions: See figure 1.

Body molding material: Body molding materials shall be selected to enable the fuseholder to meet the performance requirements of this specification. Additional information and guidance on body molding material are specified in the notes.

Fuse accommodation:

Ferrule type:

Size: 0.406 inch (10.35 mm) diameter, 1.500 inches (38.10 mm) length.

Style: MIL-PRF-15160, F07, F09 and F60.

Poles: Two.

Rating: 30 amperes, voltage see table I.

Panel thickness: 0.187 inch (4.75 mm) maximum.

Indicating: One lamp, each pole. See table I.

Lamp series resistor: See table I

Terminals: Threaded stud type.

Enclosure: Watertight.

Test fuses:

Temperature rise: F60C500V3A of MIL-PRF-15160/60.

Short circuit: F60C500V30A of MIL-PRF-15160/60.

Mechanical shock: Method I of MIL-PRF-19207.

Terminal strength: 20 pounds.

Torque:

Terminals: 15 inch-pounds.

Salt spray (corrosion): Test condition B.

Mounting hardware:

Screw: Panhead 6-32 UNC-2A with sealing washer.

Nut: 6-32UNC-2B hex. A threaded metal insert may be used in lieu of nut.

Type designation FHL34W- (dash number from table I).

MIL-PRF-19207/23K

TABLE I. Voltage and resistance.

Type designation dash no.	Voltage	Lamp indicator number ^{1/}	Resistance	Resistor type ^{2/}	Resistor Specification ^{2/}	Cap color
-01	12-22	1764	Shorting wire	N/A	N/A	Amber
-001	12-22	1764	Shorting wire	N/A	N/A	Clear
-02	23-33	1764	330	RLR07C 1/4 watt	MIL-R-39017/1	Amber
-002	23-33	1764	330	RLR07C 1/4 watt	MIL-R-39017/1	Clear
-03	34-45	1764	680	RLR07C 1/4 watt	MIL-R-39017/1	Amber
-003	34-45	1764	680	RLR07C 1/4 watt	MIL-R-39017/1	Clear
-04	46-60	1764	1,200	RLR07C 1/4 watt	MIL-R-39017/1	Amber
-004	46-60	1764	1,200	RLR07C 1/4 watt	MIL-R-39017/1	Clear
-05	61-80	1764	1,800	RLR07C 1/4 watt	MIL-R-39017/1	Amber
-005	61-80	1764	1,800	RLR07C 1/4 watt	MIL-R-39017/1	Clear
-06	81-90	1764	2,000	RLR07C 1/4 watt	MIL-R-39017/1	Amber
-006	81-90	1764	2,000	RLR07C 1/4 watt	MIL-R-39017/1	Clear
-07	2.5-4	1784	Shorting wire	N/A	N/A	Amber
-007	2.5-4	1784	Shorting wire	N/A	N/A	Clear
-08	5-7	1705	Shorting wire	N/A	N/A	Amber
-008	5-7	1705	Shorting wire	N/A	N/A	Clear
-09	8-11	1705	Shorting wire	N/A	N/A	Amber
-009	8-11	1705	Shorting wire	N/A	N/A	Clear
-10	1-2.4	2169	Shorting wire	N/A	N/A	Amber
-010	1-2.4	2169	Shorting wire	N/A	N/A	Clear
-11	90-250V	Neon	330,000	RLR07C 1/2 watt	MIL-R-39017/2	Clear
-12	90-500V	Neon	330,000	RLR07C 1/2 watt	MIL-R-39017/2	Clear

^{1/} Industry number.

*RLR20C 1/2W
SEE AMENDMENT*

TABLE II. Supersession information.

Superseding type designation dash number	Superseded MIL dash number	Superseding type designation dash number	Superseded MIL dash number
FHL34W-01	M19207/23-01	FHL34W-07	M19207/23-07
FHL34W-001	N/A	FHL34W-007	N/A
FHL34W-02	M19207/23-02	FHL34W-08	M19207/23-08
FHL34W-002	N/A	FHL34W-008	N/A
FHL34W-03	M19207/23-03	FHL34W-09	M19207/23-09
FHL34W-003	N/A	FHL34W-009	N/A
FHL34W-04	M19207/23-04	FHL34W-10	M19207/23-10
FHL34W-004	N/A	FHL34W-010	N/A
FHL34W-05	M19207/23-05	FHL34W-11	M19207/23-11
FHL34W-005	N/A	FHL34W-011	N/A
FHL34W-06	M19207/23-06	FHL34W-12	M19207/23-12
FHL34W-006	N/A	FHL34W-012	N/A

NOTES:

Body molding material: It is recommended that type MAI-60 or GDI-30F of American Society For Testing and Materials (ASTM) ASTM D5948 be considered for meeting the body molding material requirements of this specification.

PERFORMANCE SPECIFICATION SHEET

FUSEHOLDERS, EXTRACTOR POST TYPE,
BLOWN FUSE INDICATING, TYPE FHL34W

This amendment forms a part of MIL-PRF-19207/23K, dated 30 March 2001, and is approved for use by all Departments and Agencies of the Department of Defense.

PAGE 4

TABLE I, delete "2" from the columns labeled Resistor type and Resistor Specification.

TABLE I, Resistor type column, delete "RLR07C ½ watt" and substitute "RLR20C ½ watt".

Custodians:
Army - CR
Navy - SH
Air Force - 11
DLA - CC

Preparing activity:
DLA - CC
(Project 5920-0755)

Review activities:
Army - AR, AT, CR4, MI
Navy - AS, EC, MC, OS
Air Force - 70, 71

MIL-PRF-19207/23K

Marginal notations are not used in this revision to identify changes with respect to the previous issue due to the extent of the changes.

Custodians:

Army - CR
Navy - SH
Air Force - 11

Preparing activity:

DLA - CC

(Project 5920-0728-03)

Review activities:

Army - AR, AT, CR4, MI
Navy - AS, EC, MC, OS
Air Force - 70, 71