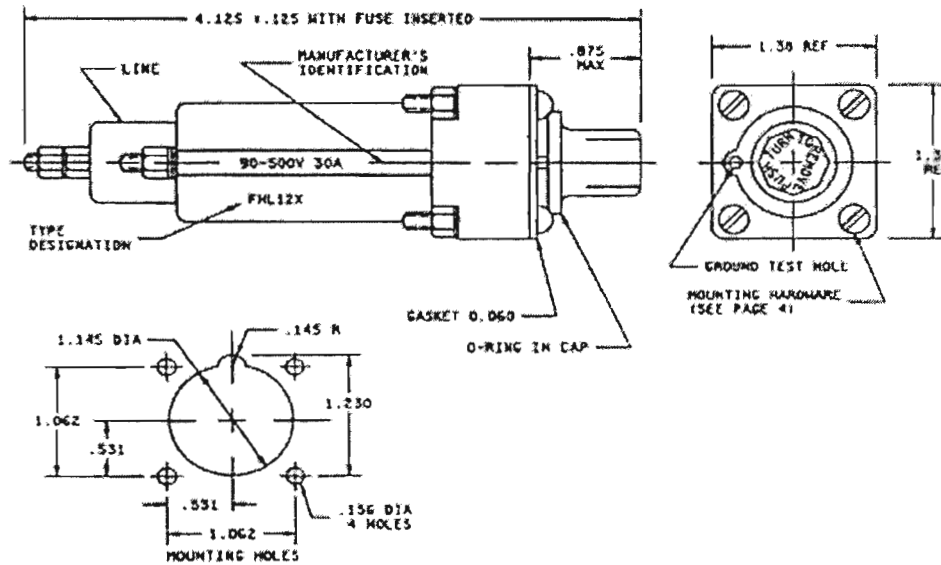


INCH-POUND  
MIL-PRF-19207/3H  
26 April 1999  
SUPERSEDING  
MIL-PRF-19207/3G  
16 June 1997

PERFORMANCE SPECIFICATION SHEET  
FUSEHOLDERS, EXTRACTOR POST TYPE,  
BLOWN FUSE INDICATING, TYPES FHL12U AND FHL12G

This specification is approved for use by all Departments  
and Agencies of the Department of Defense

The requirements for acquiring the product described herein  
shall consist of this specification and MIL-PRF-19207.

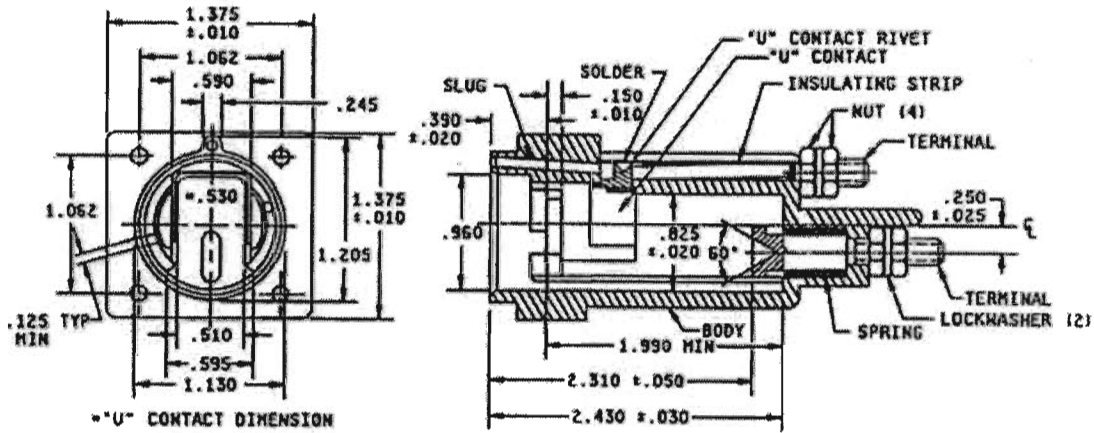


Inches	mm	Inches	mm	Inches	mm	Inches	mm	Inches	mm
.060	1.52	.156	3.96	.828	21.03	1.145	29.08	4.125	104.78
.125	3.18	.531	13.49	.875	22.23	1.230	31.24		
.145	3.68	.798	20.27	1.062	26.97	1.380	35.05		

NOTES:

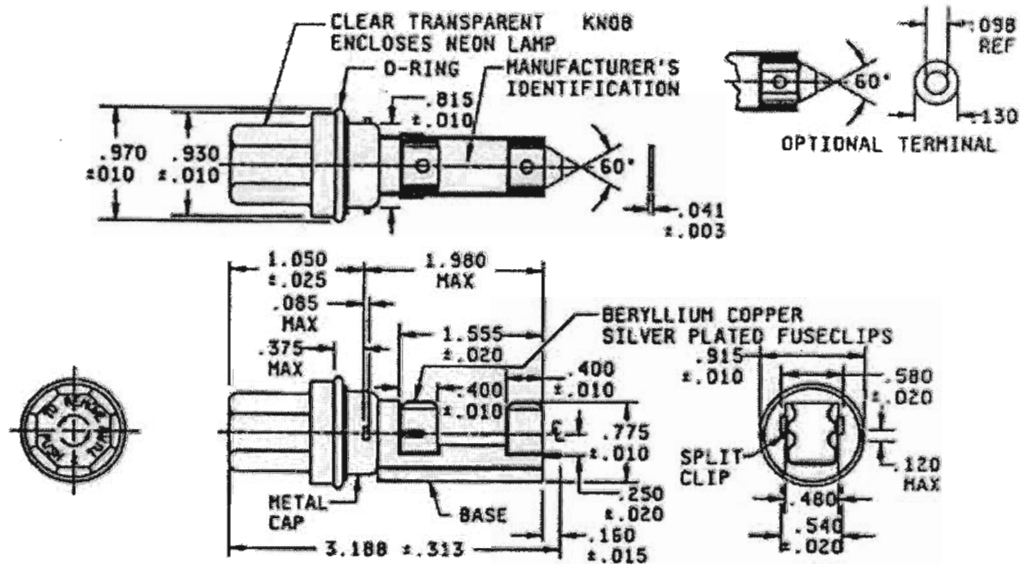
1. Dimensions are in inches.
2. Metric equivalents are given for general information only.
3. Unless otherwise specified, tolerance is .XXX ± .005 (.13 mm).

FIGURE 1. Type FHL12U and type FHL12G fuseholders.



Inches	mm	Inches	mm	Inches	mm	Inches	mm	Inches	mm
.010	0.25	.125	3.18	.510	12.95	1.062	26.97	2.130	58.67
.020	0.51	.150	3.81	.530	13.46	1.130	28.70	2.430	61.72
.025	0.64	.245	6.22	.590	14.99	1.205	30.61		
.030	0.76	.250	6.35	.595	15.11	1.375	34.93		
.050	1.27	.390	9.91	.825	20.96	1.990	50.55		

FIGURE 2. Body for FHL12U and FHL12G fuseholders.



Inches	mm	Inches	mm	Inches	mm	Inches	mm	Inches	mm
.010	0.25	.041	1.04	.160	4.06	.580	14.73	.970	24.64
.015	0.38	.085	2.16	.250	6.35	.775	19.69	1.050	26.67
.020	0.51	.098	2.49	.375	9.53	.815	20.70	1.555	39.50
.025	0.64	.125	3.05	.400	10.16	.915	23.24	1.980	50.29
.031	0.79	.130	3.30	.480	12.19	.930	23.62	3.188	80.98

FIGURE 3. Fuse carrier for FHL12U and FHL12G fuseholders.

**REQUIREMENTS:**

**Dimensions and configuration:** See figure 1, figure 2, and figure 3.

**Body material:** Body material shall be selected to enable the fuseholder to meet the performance requirements of this specification. It is recommended that type MAI-60 or GDI-30F of American Society For Testing and Materials (ASTM) ASTM D5948 be considered for meeting the body molding material requirements of this specification.

**Fuse accommodation:**

**Ferrule type:**

**Size:** .406 inch diameter, 1.500 inches (38.1 mm) length.

**Styles:** MIL-PRF-15160, F09 and F60.

MIL-PRF-19207/3H

Poles: One.

Rating: 30 amperes, 90 volts to 500 volts.

Panel thickness: 0.125 inch (3.175 mm) maximum.

Indicating: Neon lamp with clear cap.

Lamp series resistor: MIL-PRF-39017/2, 330,000 ohms, 0.5 watt.

Terminals: Stud type, No. 8-32UNC-2A thread.

Enclosure: Unsealed: FHL12U.

Dripproof: FHL12G - All of the type FHL12G fuseholders submitted for delivery shall have been subjected to the dripproof test as specified in 4.6.16.2.

Test fuses:

Temperature rise: F60C500V30A of MIL-PRF-15160/60.

Short circuit: F60C500V30A of MIL-PRF-15160/60.

Mechanical shock: Method I of MIL-PRF-19207.

Terminal strength: 20 pounds.

Torque: Terminals: 15 inch-pounds.

Salt spray (corrosion): Test condition B.

Mounting hardware:

Screw: 6-32UNC-2A, 7/8-inch (22.2 mm) long (min).  
Pan/round head with sealing washer or panhead self-sealing.

Nut: 6-32UNC-2B Hex. A threaded metal insert may be used in lieu of nut.

Marking: In addition to other required marking, the manufacturer's identification, the type designation, and the voltage rating shall appear on the fuseholder body but the location of each is optional.

Changes from previous issue: The margins of this specification sheet are marked with asterisks to indicate where changes from the previous issue were made. This was done as a convenience only and the Government assumes no liability whatsoever for any inaccuracies in these notations. Bidders and contractors are cautioned to evaluate the requirements of this document based on the entire content irrespective of the marginal notations and relationship to the last previous issue.

Custodians:

Army - CR  
Navy - SH  
Air Force - 11  
DLA - CC

Preparing activity:

DLA - CC  
(Project 5920-0595)

Review activities:

Army - AR, AT, CR4, MI  
Navy - AS, EC, MC, OS  
Air Force - 70, 71, 80

NOTICE OF  
VALIDATION

INCH-POUND

MIL-PRF-19207/3H  
NOTICE 1  
3 February 2004

PERFORMANCE SPECIFICATION SHEET

FUSEHOLDERS, EXTRACTOR POST TYPE, BLOWN FUSE INDICATING,  
TYPES FHL12U AND FHL12G

MIL-PRF-19207/3H, dated 26 April 1999, has been reviewed and  
determined to be valid for use in acquisition

**Custodians:**

Army - CR  
Navy - SH  
DLA - QC

**Preparing activity:**

DLA - CC

**Review Activities:**

Army - AR, AT, CR4, MI  
Navy - AS, EC, MC, OS  
Air Force - 70, 71

AMSC N/A

FSC 5920

DISTRIBUTION STATEMENT A: Approved for public release; distribution  
is unlimited.