

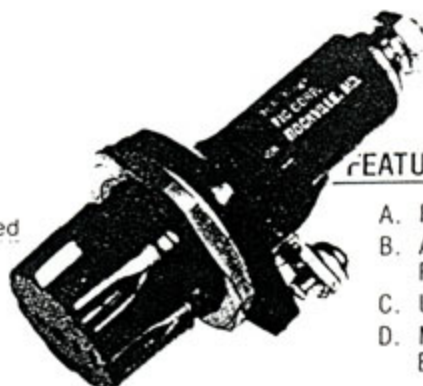


FUSEHOLDER

Model 5400

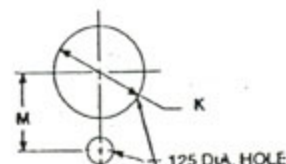
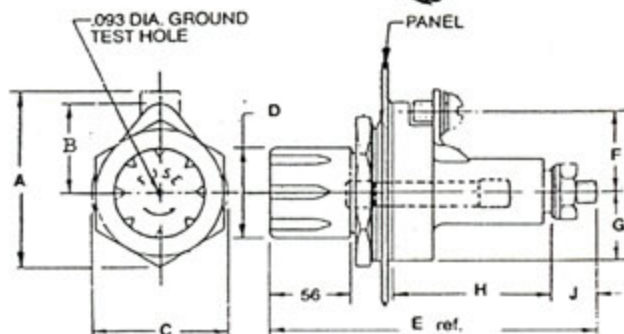
Waterproof & Ignition Protected

SINGLE POLE
FOR USE WITH
1/32" x 1 1/2" FUSES



FEATURES - Model 5400 FUSEHOLDER

- A. FITS STANDARD KNOCKOUTS
- B. AVAILABLE WITH OPTIONAL ANTI-ROTATIONAL ADAPTER WASHER
- C. UL COMPONENT RECOGNIZED
- D. MEETS OR SURPASSES NEMA ENVIRONMENTAL REQUIREMENTS



Mounting with optional Adapter Washer Specify when ordering.

Mounting Dimensions

DIM.	A	B	C	D	E	F	G	H	J	K	L	M		
5400	1.59	.781	1.12	.88	2.69	.66	.56	1.37	40	.877	⁺⁰¹⁰ ₋₀₀₀	.82	⁺⁰⁰⁰ ₋₀₀₃	.625

SPECIFICATIONS

ELECTRICAL:

Fuse: 1/32" x 1 1/2", 5 AG or Midget Style
 Current: 30 AMP any voltage up to 600V. AC or DC
 Dielectric: withstands 2200 volts

MOLDED PARTS:

Body - Black phenolic

TERMINALS:

Brass, plated, screw type, #8 side, #10 bottom
 Withstand 15 inch pounds torque

FUSECLIP:

Beryllium copper, silver plated

MOUNTING HARDWARE:

Gasket: Silicone
 Lockwasher: phos. bronze, plated
 Mounting Nut: aluminum, anodized
 Optional adapter washer: aluminum, anodized

MOUNTING:

Max panel thickness .125"

CERTIFICATIONS:

UL component recognized & ignition Protected file no's E41903 & E79894

ENCLOSURE:

Watertight from front of panel

TO ORDER:

If optional adapter washer is req'd suffix ADP to P/N



Model 5400 FUSEHOLDER ACCOMMODATES ALL 1/32" x 1 1/2" FUSES INCLUDING:



FIC CORPORATION
 12216 Parklawn Dr.
 Rockville, MD 20852

BUSS: BAN, BAF, AGU, FNM, FNO, FWA, FWH, FWX,
 KAA, KLM, KTK, KAW
 GOULD: ATM, A6YT2, A13X
 LITTELFUSE: BLF, BLN, FLM, FLO, KLK